



Features

- 5.7" TFT LCD with resistive touchscreen
- DM&P Vortex86DX 1GHz onboard
- 256MB DDR2 system memory onboard
- Compact Flash Type I/II / Micro SD Slot
- Mini-PCI socket (Wi-Fi Optional)
- Fanless and low power consumption
- Metal chassis with compact design

Introduction

PDX-057T is an ultra compact platform for the present demanding embedded and productive applications. It has new Vortex86DX SoC CPU which consumes only minimum power requirement when running at 1GHz, and DDR2 memory provides faster data transfer rate. By using 5.7" TFT LCD, PDX-057T becomes the perfect choice for a limited budget. In addition, the integrated 10/100M Ethernet port supplies the communication capability which makes PDX-057T can be more widely used when running with DOS, Linux, Windows CE, and Windows XP environment to become the perfect solution for system integration.

Specifications

CPU	DM&P SoC CPU Vortex86DX-1GHz
Cache	L1:16KB I-Cache, 16KB D-Cache L2: 128KB Cache
BIOS	AMI BIOS
Memory	256MB DDR2 onboard
Watchdog Timer	Software programmable from 30.5u to 512 seconds x 2 sets
LAN	Integrated 10/100Mbps Ethernet
Audio (Optional)	CM119 Line-Out
Internal Drives	Compact Flash Type I/II slot Micro SD slot
I/O	RS-232/422/485 x 1 USB ports (Ver2.0) x 2
Expansion Slot	Mini-PCI socket x 1

Mechanical & Environment

Power Requirement	+5V DC +8~+35V DC(Optional)
Power Consumption	1.3A
Operating Temperature	0 ~ +60 °C (+32 ~ +140 °F)
Storage Temperature	-20 ~ +70 °C (-4 ~ +158 °F)
Dimensions	152 x 112 x 33 mm (5.98 x 4.41 x 1.3 inches)
Weight	374g
Certification	CE, FCC, VCCI

LCD Specifications

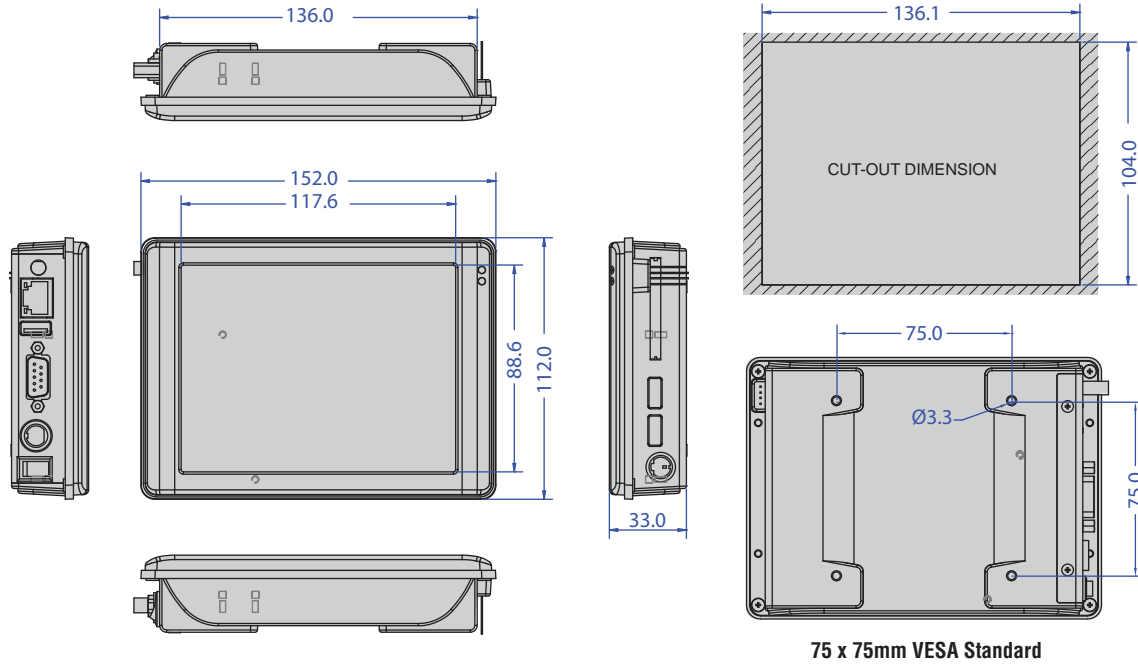
Display Type	5.7" TFT LCD
Backlight Unit	LED
Display Resolution	640 (W) x 480 (H)
Brightness (cd/m²)	400 cd/m ²
Contrast Ratio	300:1
Display Color	262,144
Dot Pitch (mm)	0.06 x 0.18
Viewing Angle	Vertical 100°, Horizontal 140°
Backlight Lifetime	25,000 hrs

Touchscreen

Type	Analog Resistive
Resolution	Continuous
Transmittance	80%
Controller	USB interface
Software Driver	DOS/Linux/WinCE/WinXP
Durability	1 million

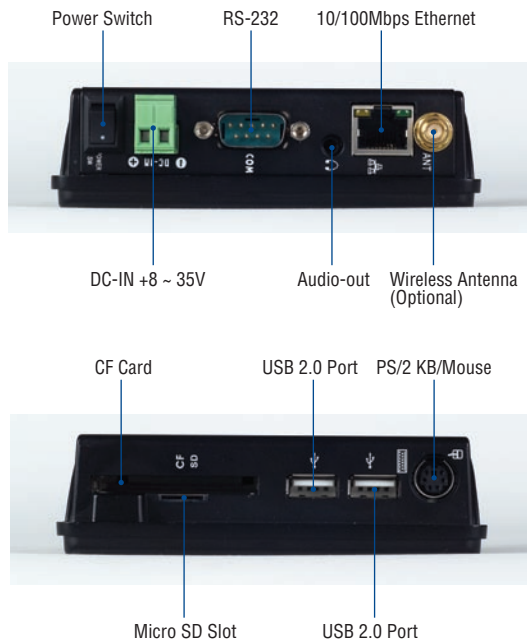
Dimensions

Unit: mm

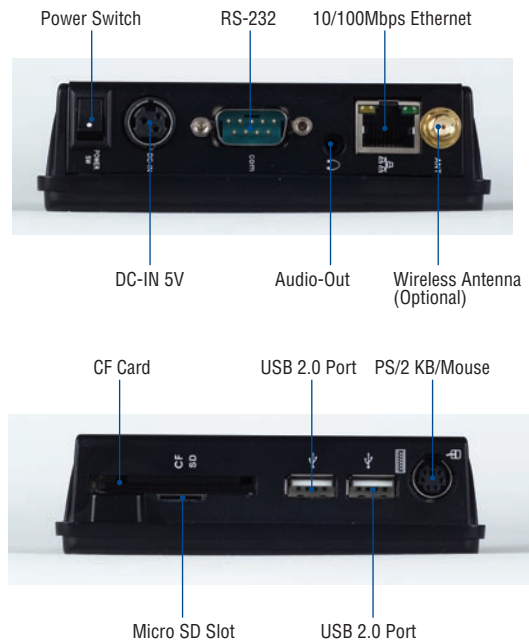


Side View

PDX-057T-8A



PDX-057T-5A



Ordering Information

- **PDX-057T-5A** 5.7" Vortex86DX Panel PC w/256MB DDR2 /2USB/Line-Out/LAN/1COM/CF/MicroSD/15W Power Adapter
- **PDX-057T-8A** 5.7" Vortex86DX Panel PC w/256MB DDR2 /2USB/Line-Out/LAN/1COM/CF/MicroSD

1

µProcessor Module

2

Mity/Tiny CPU Module

3

PC/104 CPU Module

4

Half-Size CPU Module

5

3.5" CPU Module

6

Peripheral Module

7

Display Product Series

8

Accessories & Technical Information